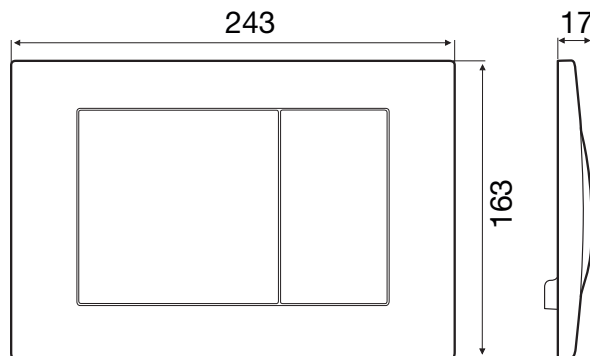
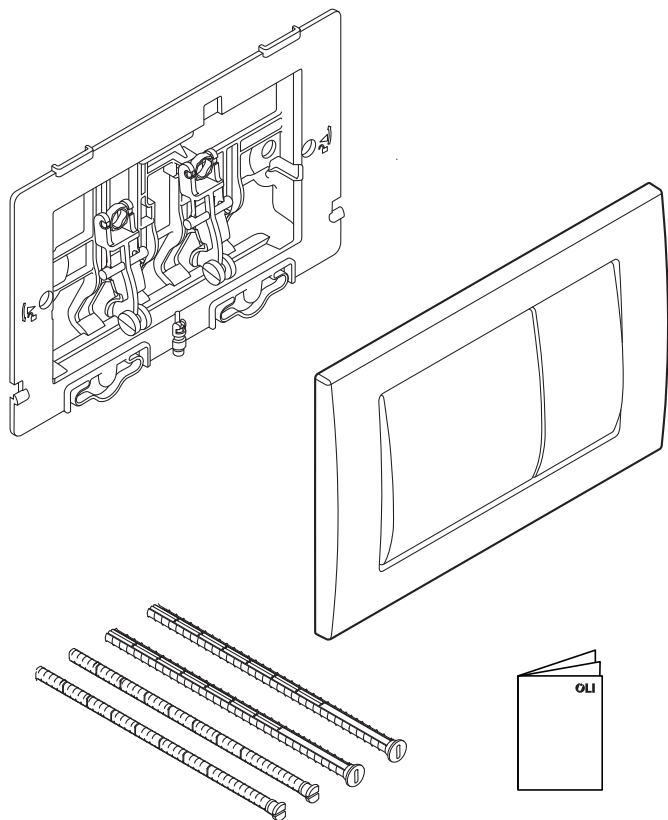


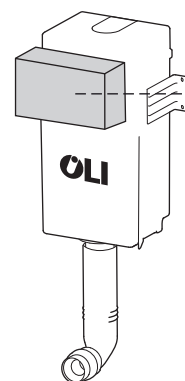
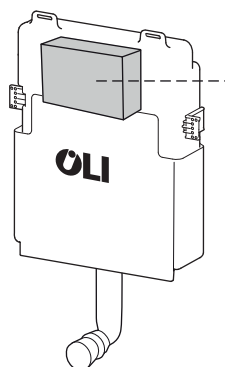
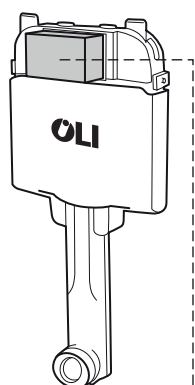
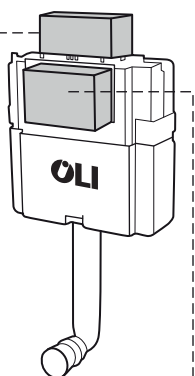
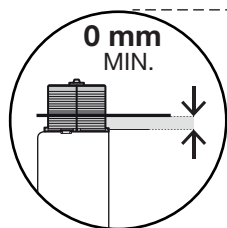
METAL DD

MECHANICAL

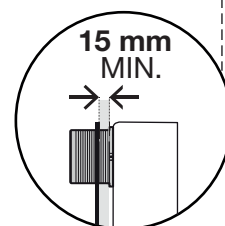
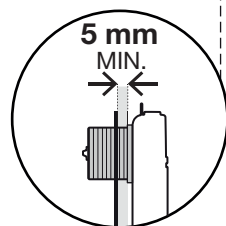
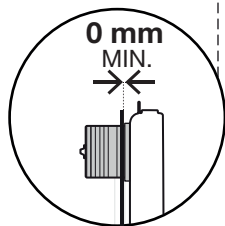
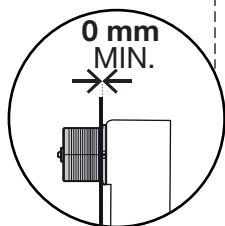


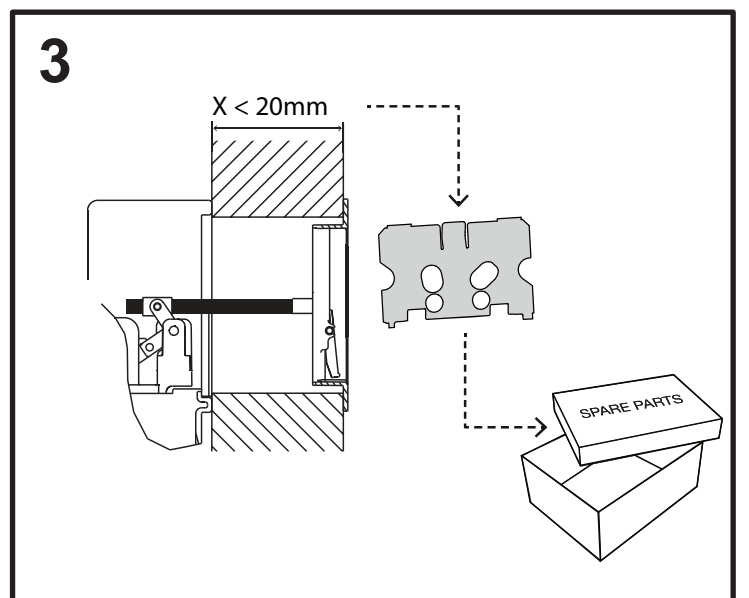
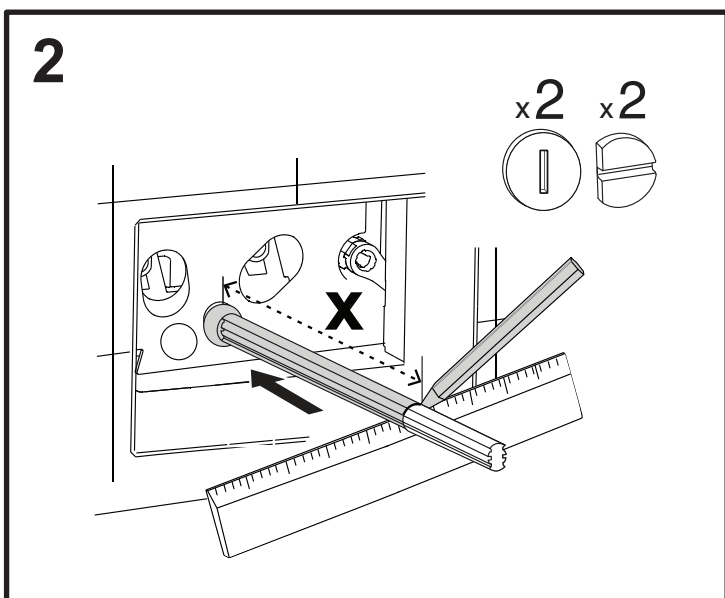
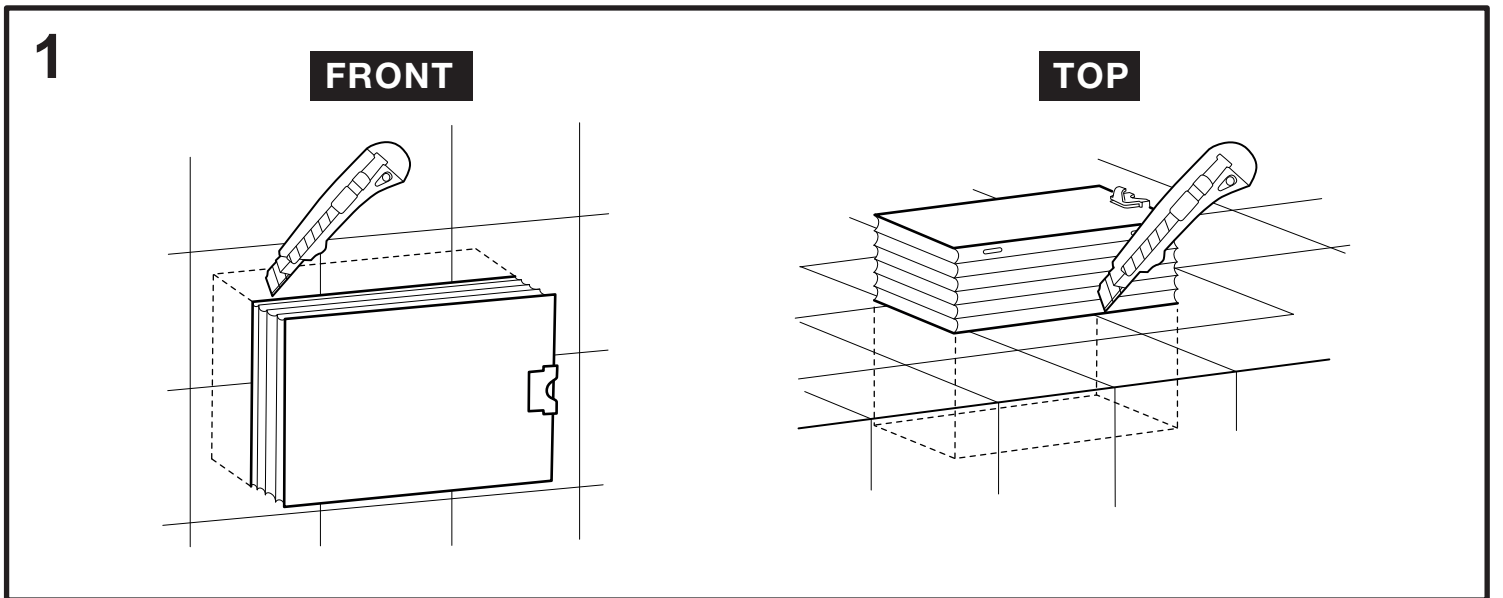
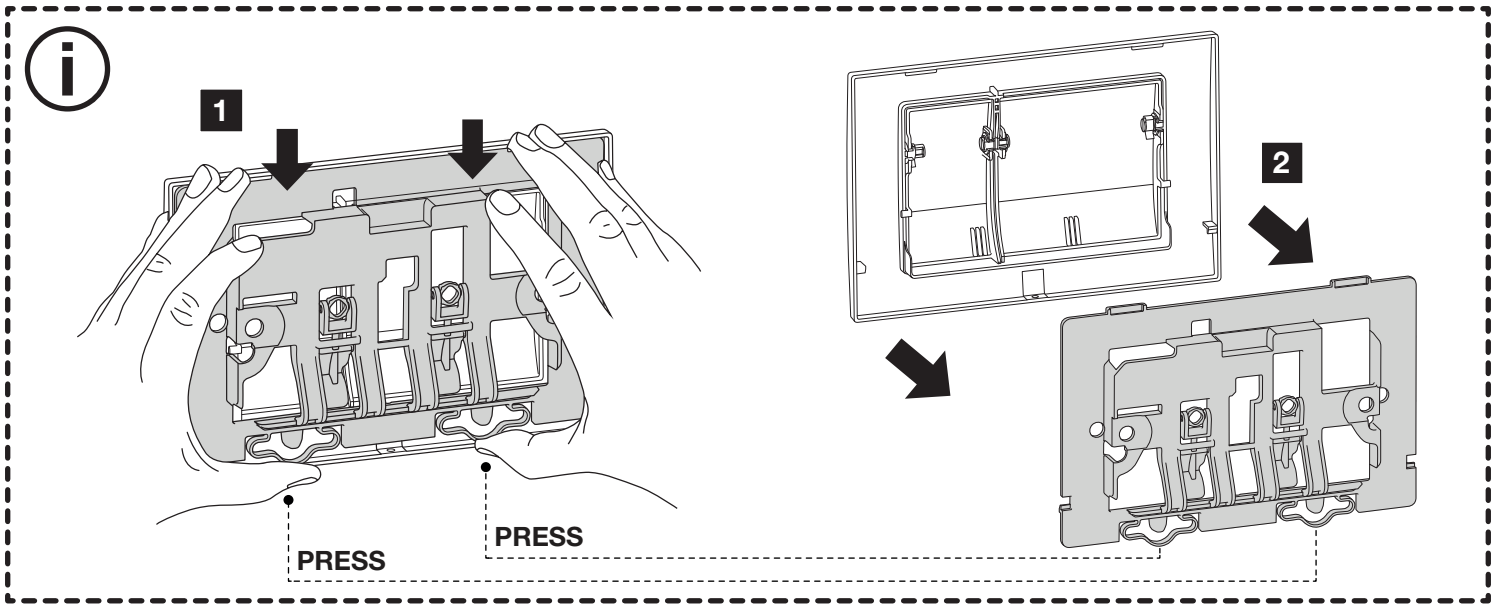
(dimensions in millimeters)

TOP



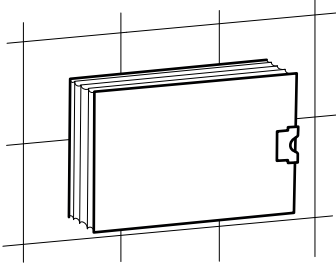
FRONT





4

FRONT



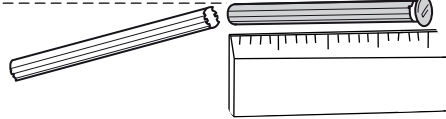
x2



x2



← X + 45mm →

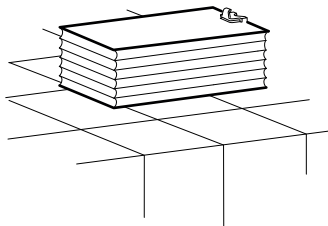


← X + 30mm →

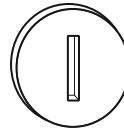


4

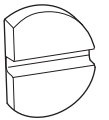
TOP



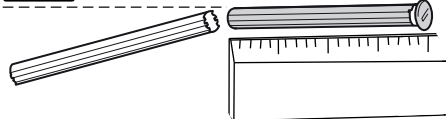
x2



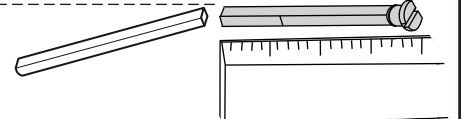
x2



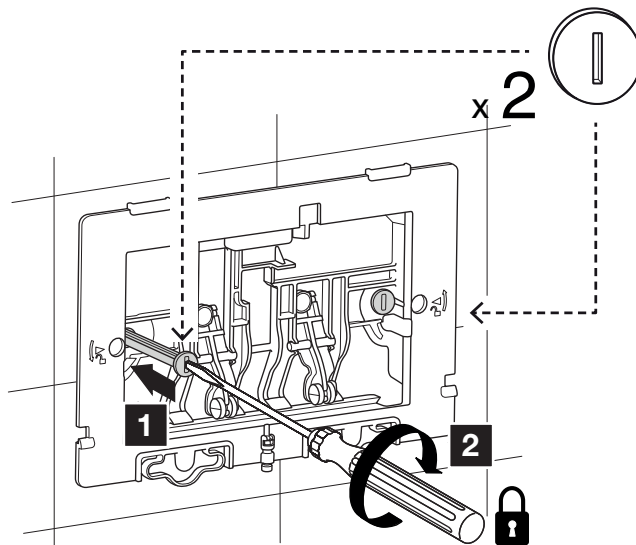
← X + 10mm →

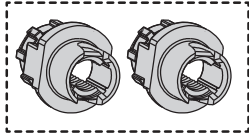


← X + 75mm →

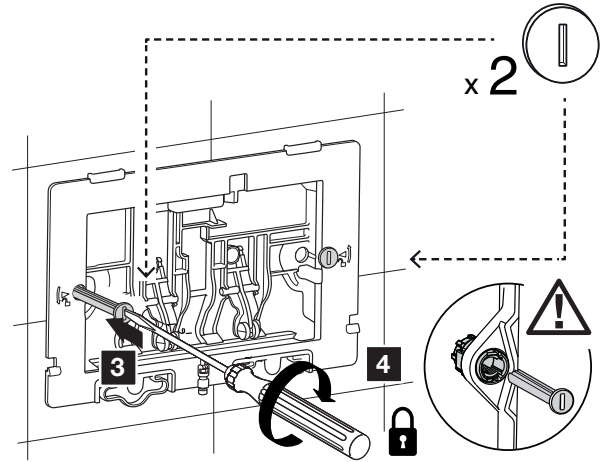
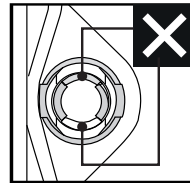
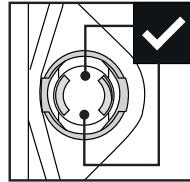
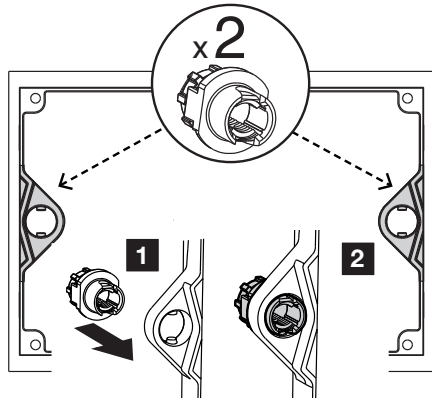


5

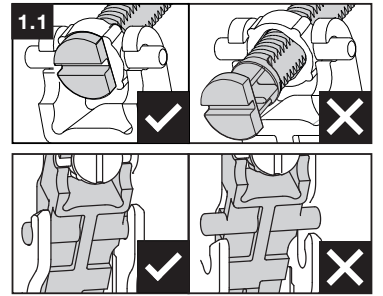
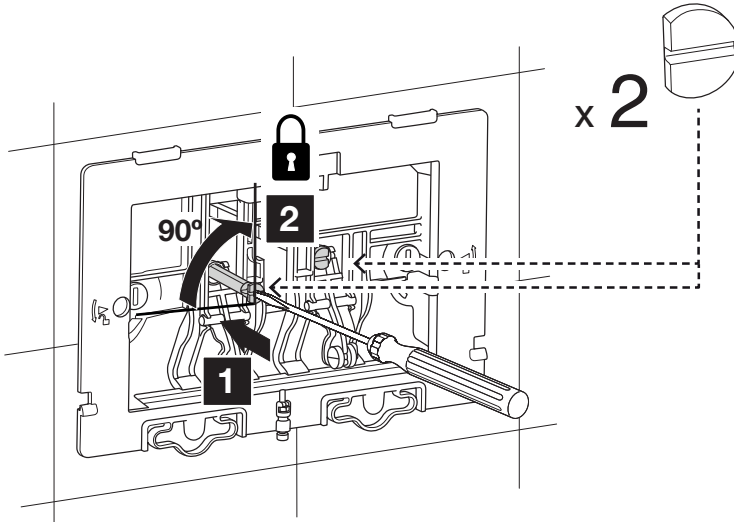




Cod.037152
 Fixation kit <09
 Order separately



7



8

