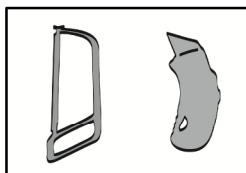


# Preloc 300

Certified in accordance to EN 274-1:2002

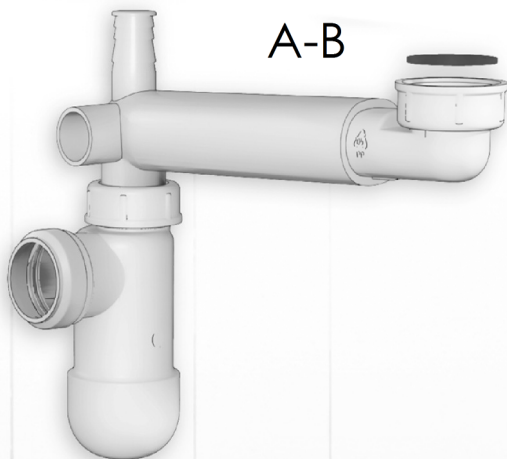
# PREVEX

www.prevex.com



W

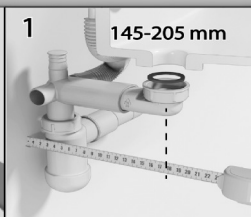
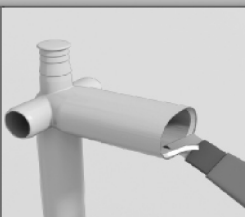
A-B



**A** 205-300 mm



**B** LENGTH OF THE SIPHON ARM 145-205 mm



Service



s1.



s2.



s3.

