

Rebris S

Single lever basin mixer 110 with pop-up waste set

Finish: **Matt Black** Article Number: **72517670**



Description

product features

- consists of: single lever basin mixer, waste set
- ComfortZone 110
- projection: 133 mm
- spout height: 109 mm
- handle variant: lever handle
- spray type: normal spray
- maximum flow rate at 3 bar: 5 l/min
- ceramic cartridge
- temperature limitation adjustable
- suitable for continuous flow water heaters
- pop-up waste set G 1¼
- material waste set: synthetic
- connection type: G ¾ connections
- connection dimension: DN15
- EU taxonomy: max. 6 l/min - Substantial Contribution (SC) possible

Technology



Design awards



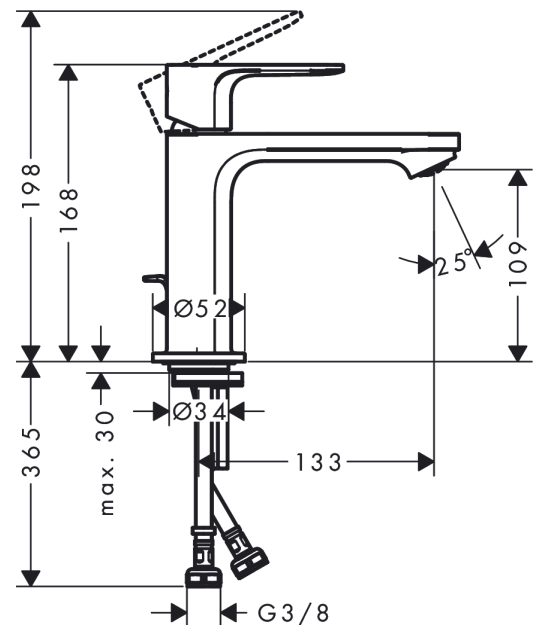
reddot winner 2022



Product image



Scale drawing



Rebris S
Single lever basin mixer 110 with pop-up waste set
 Finish: **Matt Black** Article Number: **72517670**



Flowchart

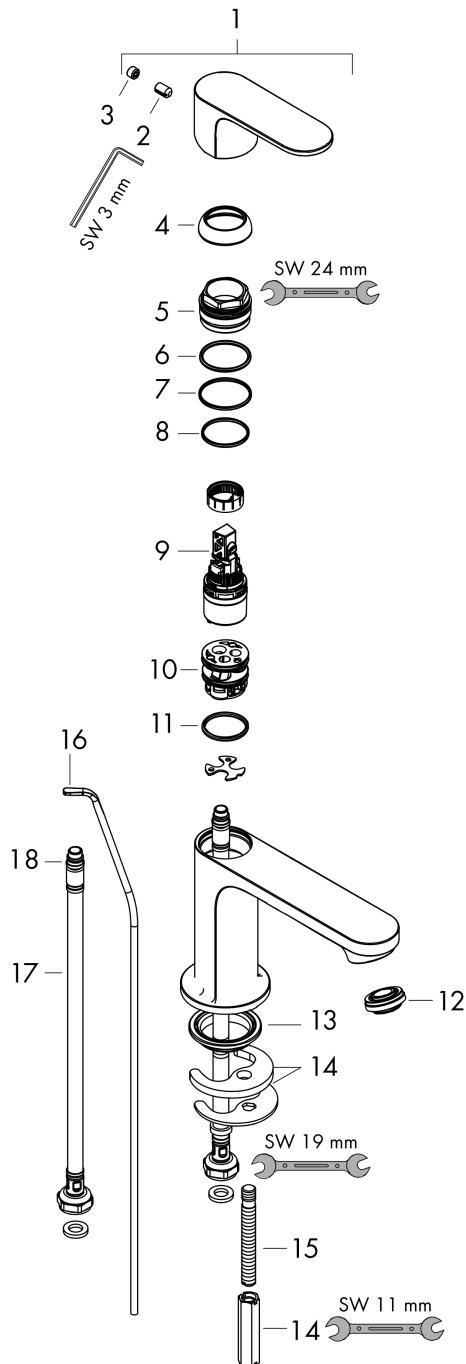


Rebris S
Single lever basin mixer 110 with pop-up waste set
 Finish: **Matt Black** Article Number: **72517670**



Exploded Drawing

Year of production: >06/22



Rebris S

Single lever basin mixer 110 with pop-up waste set

Finish: **Matt Black** Article Number: **72517670**



Spare part list

Year of production: >06/22

Pos.	Description	Article Number	PC	PU
1	handle	94642670	60	1
2	hollow set screw M6x10 DIN 916	96029000	1	1
3	screw cover	95704610	51	1
4	flange	98863670	60	1
5	nut	98864000	9	1
6	O-ring 24x2	98388000	1	1
7	O-ring 27x1,5	92527000	4	1
8	O-ring 25x1,5	98146000	1	1
9	cartridge, assy	95973001	12	1
10	adapter for cartridge	98866000	8	1
11	O-ring 23x2	98398000	1	1
12	aerator M24x1 (5 l/min)	94364000	3	1
13	seal Ø 42	98722000	2	1
14	fixing set	96016000	8	1
15	screw M8 x 68	97736000	2	1
16	pull rod	96657670	54	1
17	connection hose 450 mm M8x0,75 G3/8	97206000	8	1
18	O-ring 6,6x1,6	93019000	1	1
a	pop up waste	92168670	59	1