

Tecturis S

Single lever basin mixer 110 EcoSmart+ without waste set

Finish: **Matt White** Article Number: **73311700**



Description

product features

- ComfortZone 110
- projection: 116 mm
- spout height: 105 mm
- handle variant: lever handle
- spray type: normal spray
- maximum flow rate at 3 bar: 4 l/min
- ceramic cartridge
- temperature limitation adjustable
- suitable for continuous flow water heaters
- connection type: G 3/8 connections
- connection dimension: DN15
- EU taxonomy: max. 6 l/min - Substantial Contribution (SC) possible

Technology



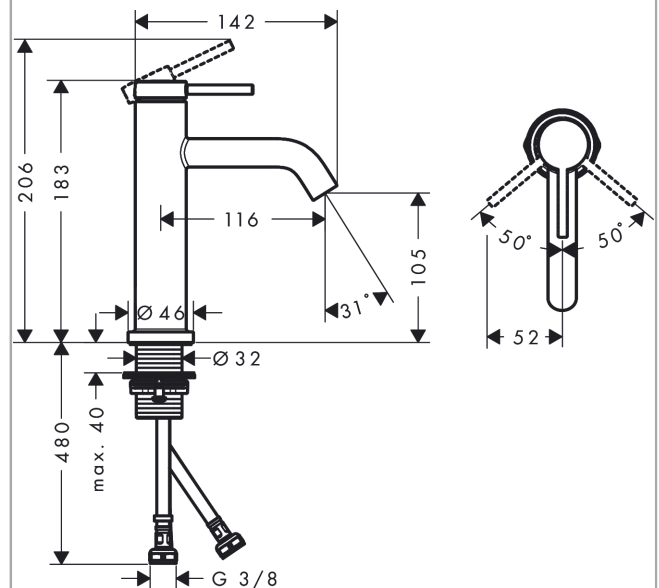
Design awards



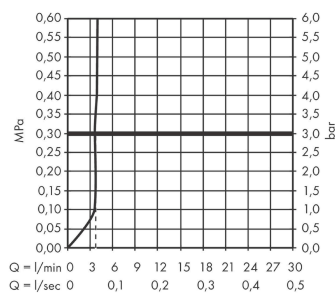
Product image



Scale drawing



Flowchart

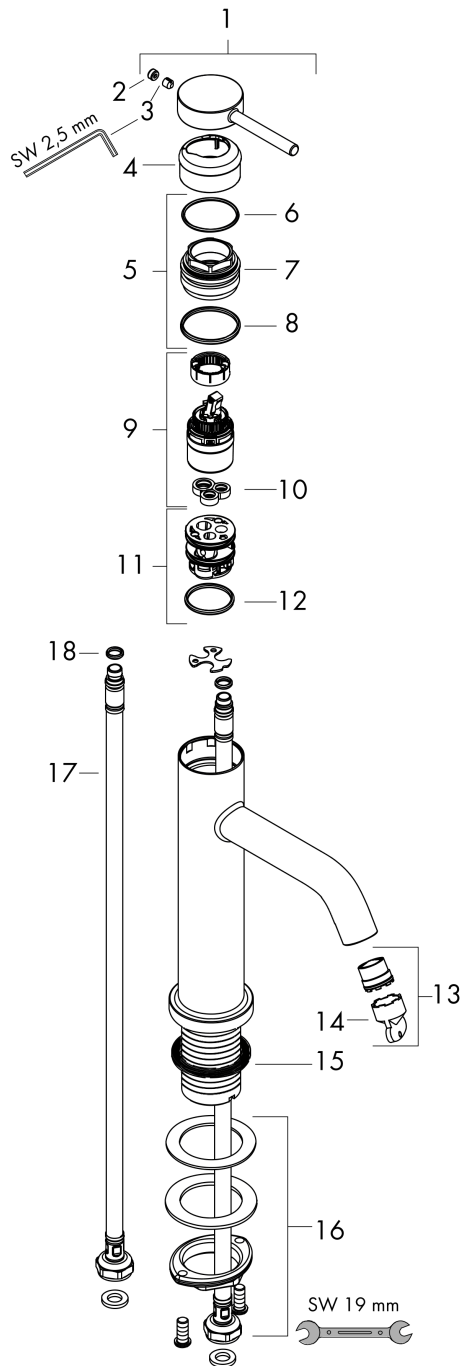


Tecturis S
Single lever basin mixer 110 EcoSmart+ without waste set
 Finish: **Matt White** Article Number: **73311700**



Exploded Drawing

Year of production: >06/23



Tecturis S

Single lever basin mixer 110 EcoSmart+ without waste set

Finish: **Matt White** Article Number: **73311700**



Spare part list

Year of production: >06/23

Pos.	Description	Article Number	PC	PU
1	handle	94985700	60	1
2	screw cover	93735700	3	1
3	hollow set screw M5x5	98446000	1	1
4	escutcheon	94987700	56	1
5	nut	94989000	3	1
6	O-ring 28x1,5	98421000	1	1
7	O-ring 25x1,5	98146000	1	1
8	O-ring 29x2	98391000	1	1
9	cartridge, assy	93760000	13	1
10	seal	93383000	4	1
11	adapter for cartridge	95975000	3	1
12	O-ring 23x2	98398000	1	1
13	aerator M16,5x1 (4,5 l/min)	92875000	8	1
14	special tool	98987000	3	1
15	flat seal	98749000	2	1
16	fixing set (Ø 32)	13961000	7	1
17	connection hose 600 mm M8x0,75 G3/8	96556000	7	1
18	O-ring 6,6x1,6	93019000	1	1