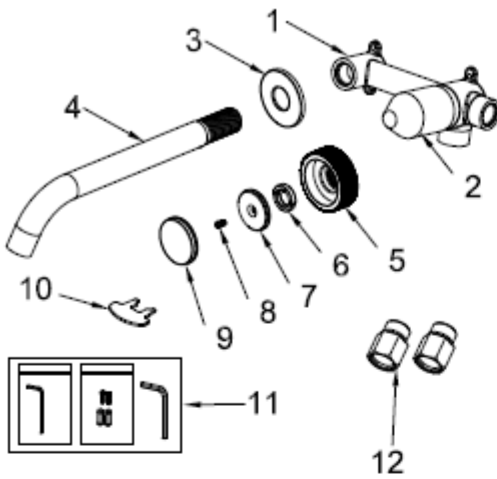
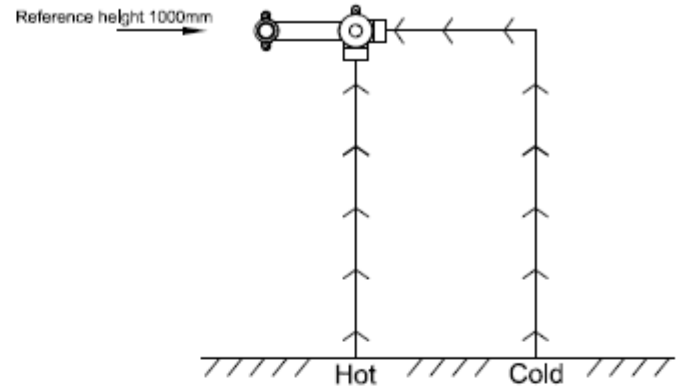


# CONCEALED BASIN MIXER

## Installation List



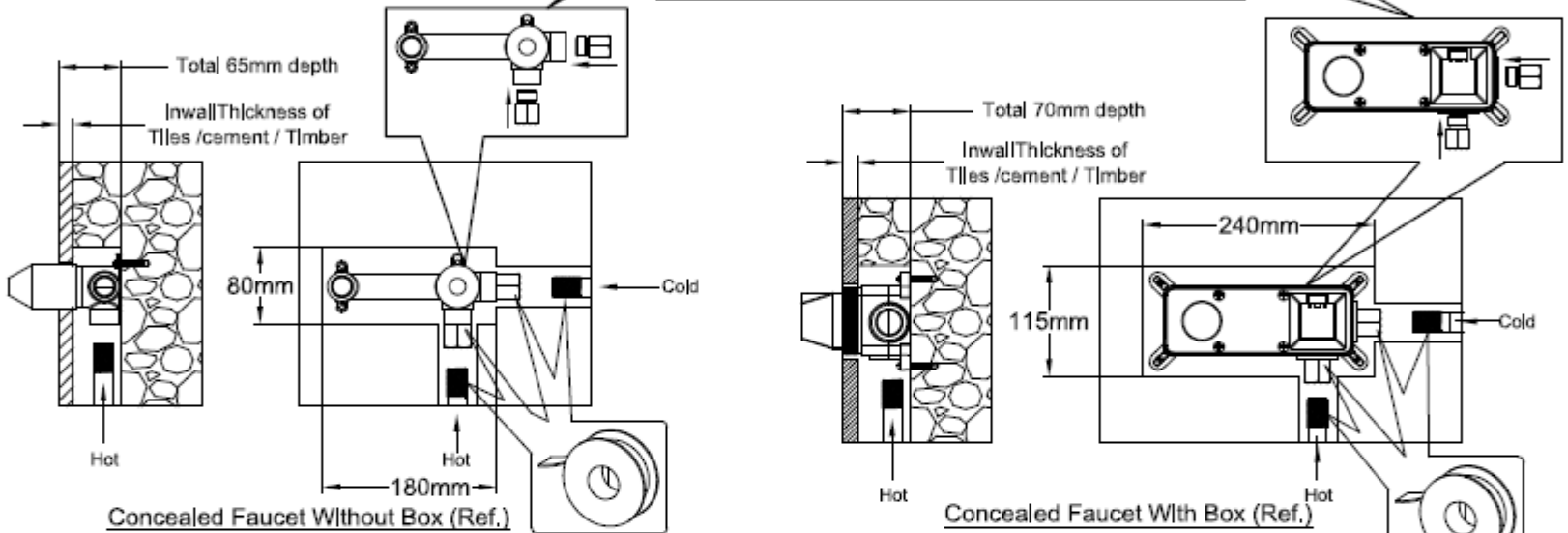
S/N	Description	No.s
1	Faucet concealed body	1
2	Protective sleeve	1
3	Flange for spout	1
4	Spout	1
5	Handle	1
6	Lock Nut	1
7	Handle Base	1
8	Screw	1
9	Press-button	1
10	Nut Wrench	1
11	Screws set	1
12	check valve connector	2



Installation for Water supply pipe(Ref.)

MAKE SURE the Check valve connector is installed to the cold water inlet and hot water inlet of the faucet concealed body first before connecting the faucet concealed body to the hot & cold water supply pipes.

①

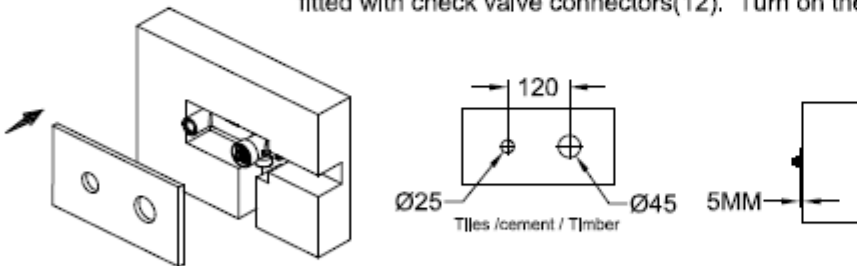


Concealed Faucet Without Box (Ref.)

Concealed Faucet With Box (Ref.)

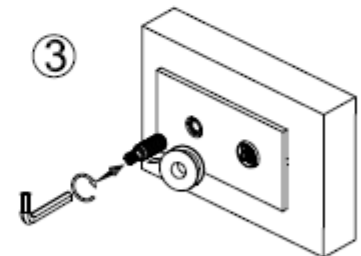
1. Before installation, please dig a proper hole in a suitable position on the wall and flush the inside and outside dirt. Assemble the check valve connectors(12) to the cold water inlet and hot water inlet of the faucet concealed body(1), then fix the faucet concealed body(1) into the wall hole by screws(11). Connect the hot & cold water supply pipes to the faucet concealed body(1) fitted with check valve connectors(12). Turn on the valves to check if any leakage.

②



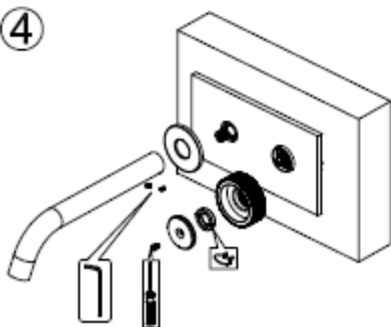
2. Make two holes with a center distance of 120mm on the tiles used to Wall Concealed Box cover the Concealed box, with the left hole having a diameter of 25mm and the right hole of 45mm. Unscrew screw and take off the protective cover of the Concealed box, stick the Tile with the holes to the wall in a suitable position above the Concealed box. Please check and confirm again there is a protrusion of 5mm from the Cartridge sleeve of the concealed faucet body to the surface of the Tile.

③



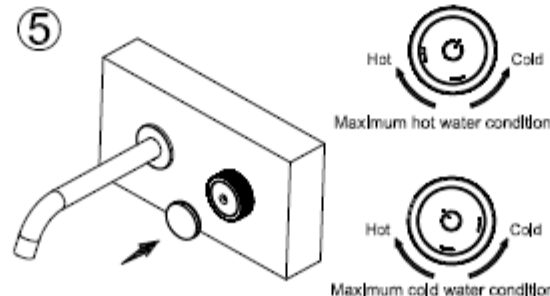
3. Unscrew the two screws on Spout and extract the Connector from it. Wrap enough Teflon tape around the threads of the Connector and install the Connector through the left side hole on the tile into the body of the Concealed box and tighten it by the Big Allen key.

④



4. Place the handle on the concealed faucet body and lock it with the Lock nut by the Nut wrench. Tighten the Handle Base onto the rod of the cartridge by the Screw.

⑤



5. Cover the button cover in the right direction and press it firmly.