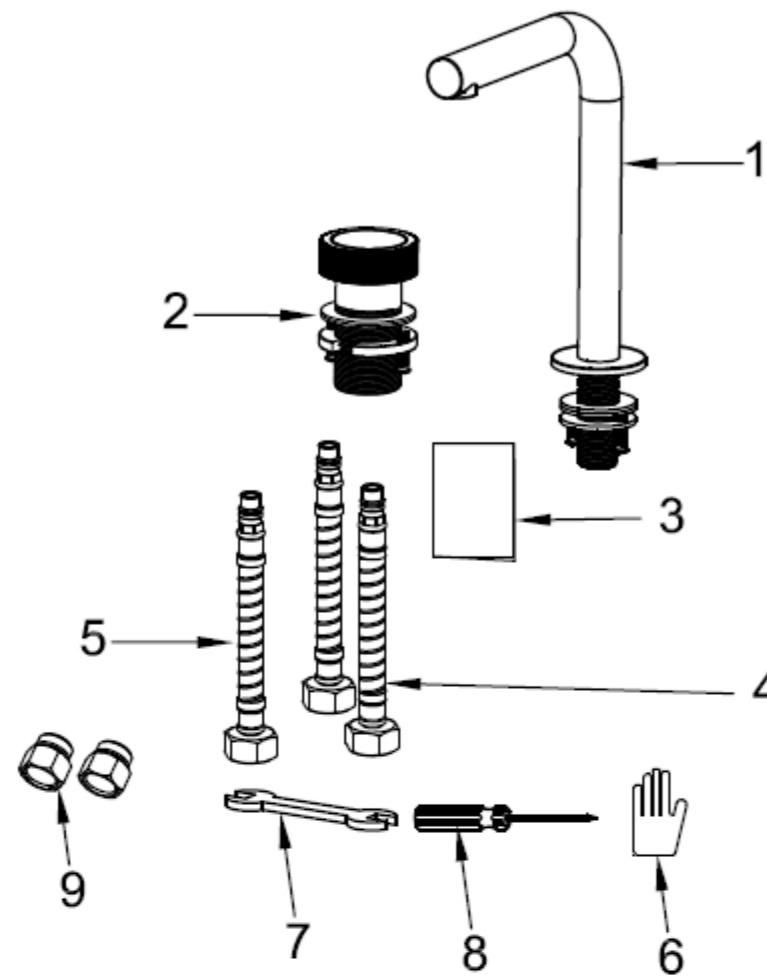


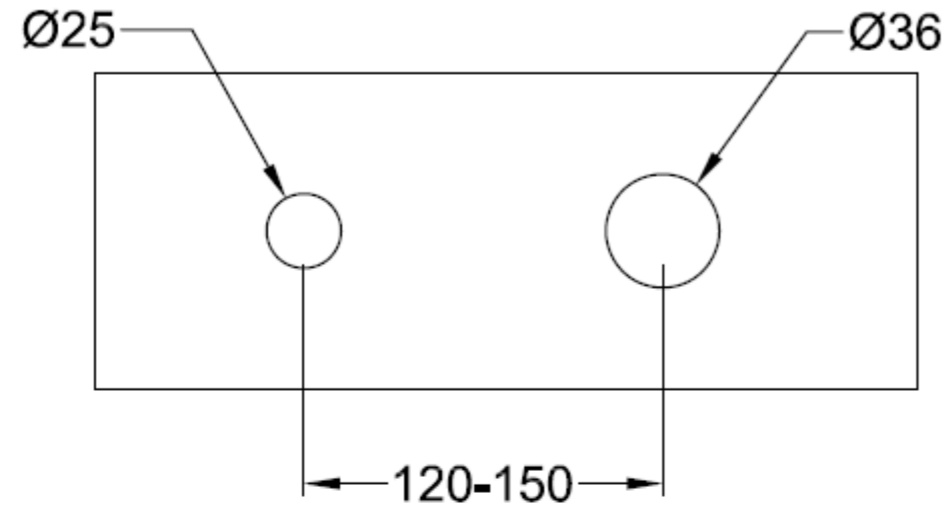
# WIDESPREAD BASIN FAUCET

## Installation List

S/N	Description	Nos
1	Spout	1
2	Faucet parts	1
3	Instruction	1
4	Inlet flexible hose (Red for hot, Blue for cold)	2
5	Outlet flexible hose	1
6	Gloves	1
7	Spanner (Self-prepared)	1
8	Screwdriver (Self-prepared)	1
9	check valve connector	2

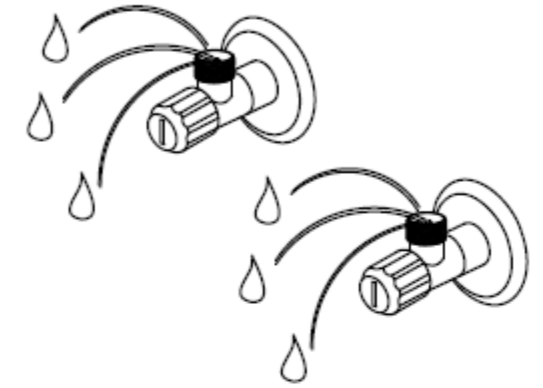


1



1. Make two holes with a proper center distance of 120~150mm on the counter, with the left hole having a diameter of 23mm and the right hole of 38mm.

2



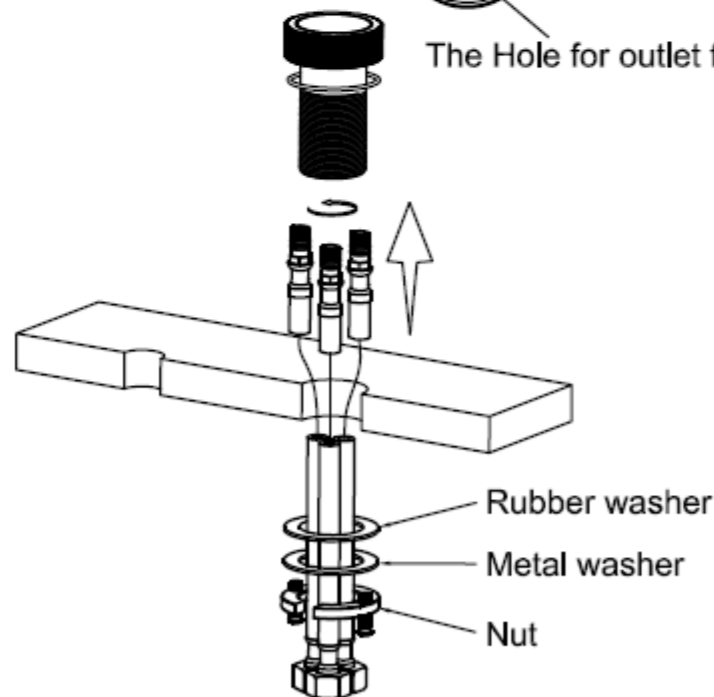
2. Flush any contaminants in supply lines for 30~60 seconds until water is clean.

3

Red dot for hot water Blue dot for cold water

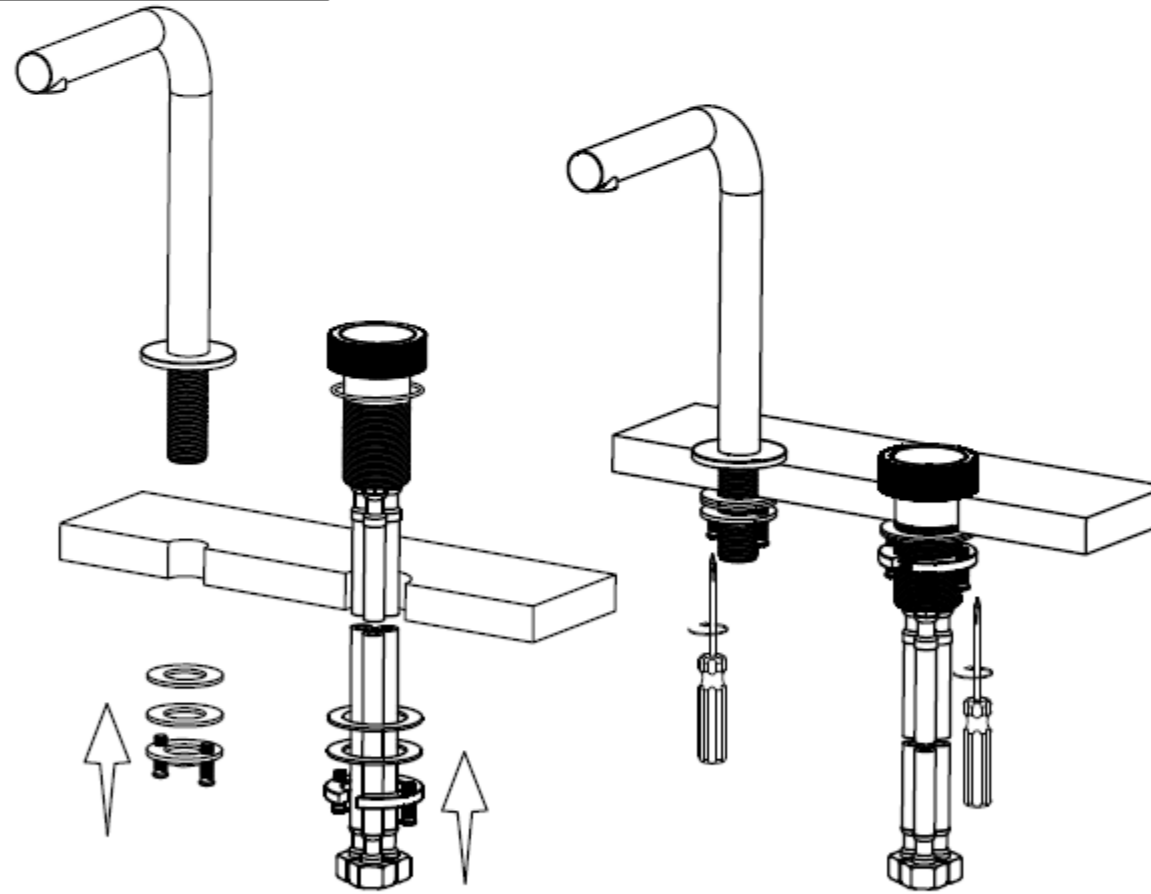
The bottom of faucet body

The Hole for outlet flexible hose



3. Screw out and take off the nut, rubber washer and metal washer from the faucet body. Put these three parts through the inlet flexible hoses and outlet flexible hose in the right order. Go through the hole of  $\phi 38$ mm on the counter from underneath and connect the hoses to the faucet body (Please attention that the Red hose connects to the hole with Red dot on the faucet body while the Blue hose is to the hole with Blue dot. Then screw up the nut, rubber washer and metal washer to the faucet body, and fix it on the counter by tightening the screws on the nut with screwdriver.

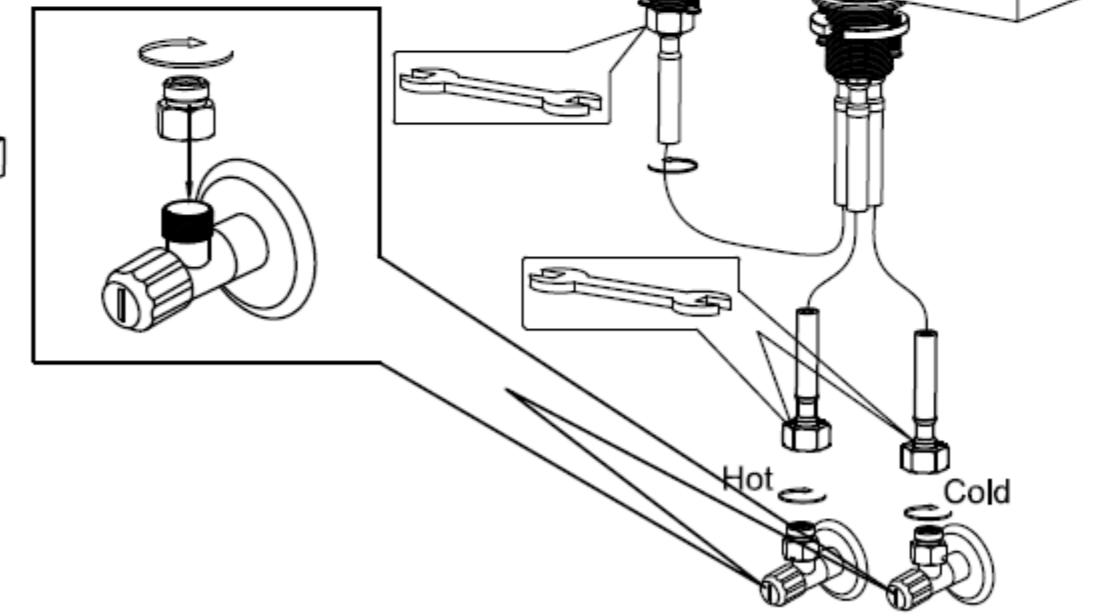
4



4. Screw out and take off the nut, rubber washer and metal washer from the spout. Put the spout into the hole of  $\phi 23$ mm on the counter and screw up the nut, rubber washer and metal washer again to the spout, and fix it on the counter by tightening the screws on the nut with screwdriver.

MAKE SURE the Check valve connector is installed to the angle valve first before the angle valves connect with the Inlet flexible hose.

5



5. Connect the Outlet flexible hose (5) to the spout (1). Install the Check valve connector (9) to angle valves linked with Hot & Cold water supply pipe, then fasten it by spanner to the other end of the Inlet flexible hose (Red for hot, Blue for cold) (4). (All done)