

# SET LB3 CLASSIC

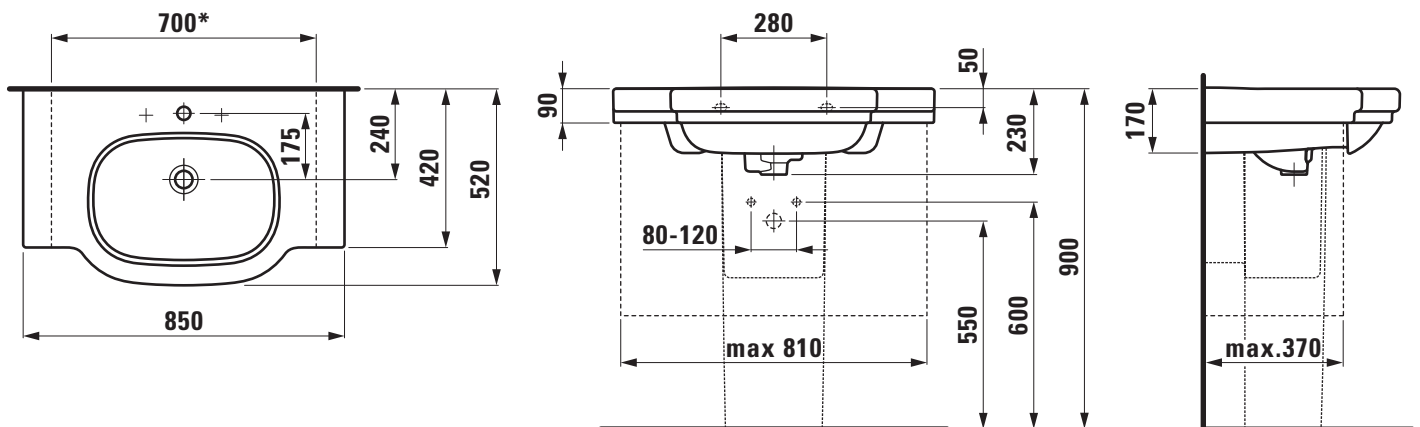
## Countertop basin / cutable 81068.6



### TECHNICAL DATA

Order no.	81068.6	Mounting acc. incl.	with concealed ceramic waste and overflow, chrome-plated vertical cover, order no. 89097.8
Certified to	EN 31	Mounting acc. excl.	Mounting set M10 x 140 mm, order no. 89988.2
Dimensions	850 x 520 mm	Otherwise	When ordering the cut version use the order form for cutting
Inside dimensions of the basin	480 x 325 mm	Colours	see colour table
Specification	Always to be fixed to the wall. Cuttable to 700 mm, with 2 side cover to 730 mm Charge 104 – 1 centre tap hole	<b>SPECIFICATION TEXT</b> Cuttable countertop basin Laufen-LB3 CLASSIC, sanitary ceramic EN 31, dimensions 850 x 520 mm, symmetric, 1 centre tap hole, concealed ceramic waste and overflow, chrome-plated vertical cover Special feature: cuttable to 700 mm, integrated shelves Further options / accessories: Surface refinement LCC (only white), 3 tap holes, without tap holes, 3 tap holes distance 8 inches, siphon cover, pedestal, side cover, bathtubs, shower trays, furniture, accessories Order no. 81068.6	
Special specification	Charge 108 – 3 tap holes Charge 109 – without tap holes Charge 136 – 3 tap holes, distance 8 inches		
Weight	23,0 kg		
Accessories excl.	Siphon cover, order no. 81968.1 Pedestal, order no. 81968.0 Side cover for cut surface left, order no. 87868.1 right, order no. 87868.2		

### TECHNICAL DRAWINGS / S 1 : 20



\* = minimum measure for cutting