

**Double countertop basin / cutable**  
**81370.6**



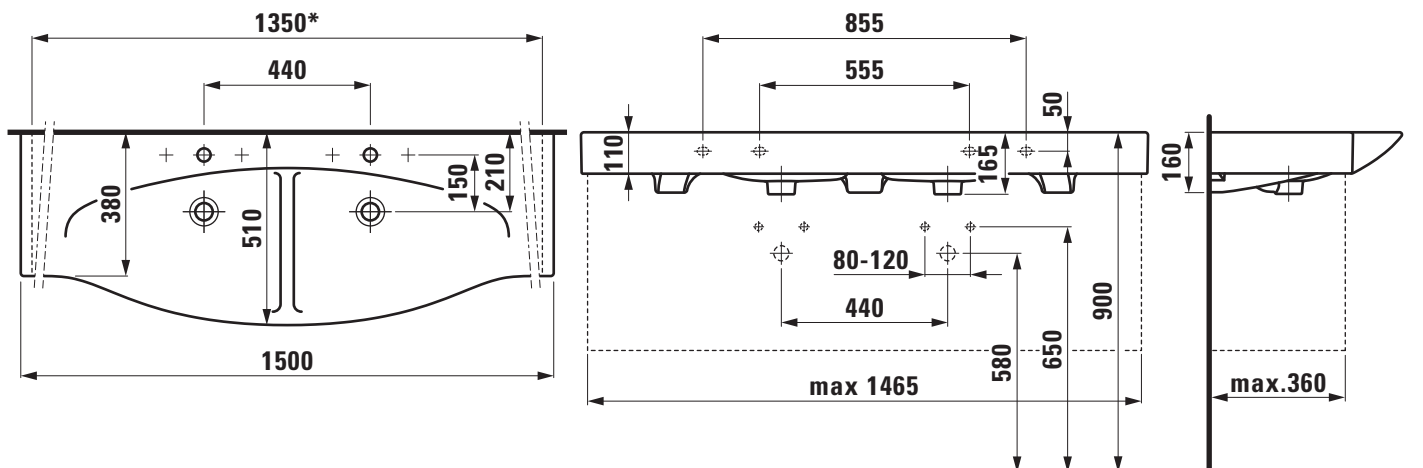
**TECHNICAL DATA**

Order no.	81370.6
Certified to	EN 14688
Dimensions	1500 x 380/510 mm
Inside dimensions of the basin	565 x 365 mm
Specification	Always to be fixed to the wall. Cut one-sided to 1350 mm Charge 104 – per basin 1 centre tap hole, with overflow
Special specification	Charge 108 – per basin 3 tap holes, with overflow Charge 109 – without tap holes, with overflow Charge 136 – per basin 3 tap holes, distance 8 inches, with overflow
Weight	34,0 kg
Mounting acc. excl.	2x Mounting set M10 x 140 mm, order no. 89988.2
Otherwise	When ordering the cut version use the order form for cutting
Colours	see colour table

**SPECIFICATION TEXT**

Cutable double countertop basin Laufen-PALACE, sanitary ceramic EN 14688, dimensions 1500 x 380/510 mm, symmetric per basin 1 centre tap hole  
 Special feature: overflow channel glazed, cuttable to 1350 mm, integrated shelves  
 Further options / accessories: Surface refinement LCC (only white), 3 tap holes, without tap holes, 3 tap holes distance 8 inches with overflow, furniture  
 Order no. 81370.6

**TECHNICAL DRAWINGS / S 1 : 20**



\* = minimum measure for cutting