

SET LAUFEN PRO A

Countertop basin

81895.1



TECHNICAL DATA

Order no.	81895.1
Certified to	EN 31
Dimensions	550 x 480 mm
Inside dimensions of the basin	490 x 320 mm
Specification	Charge 104 – 1 centre tap hole
Special specification	Charge 108 – 3 tap holes Charge 109 – without tap hole Charge 142 – without tap hole, without overflow and without open drain Charge 156 – 1 centre tap hole, without overflow and without open drain
Weight	16,0 kg
Accessories excl.	Siphon cover, order no. 81995.1 (3 tap holes not possible) Pedestal, order no. 81995.0

Mounting acc. excl. Mounting set M10 x 140 mm, order no. 89988.2

Colours see colour table

SPECIFICATION TEXT

Countertop basin LAUFEN PRO A, sanitary ceramic EN 31

dimensions 550 x 480 mm, angular

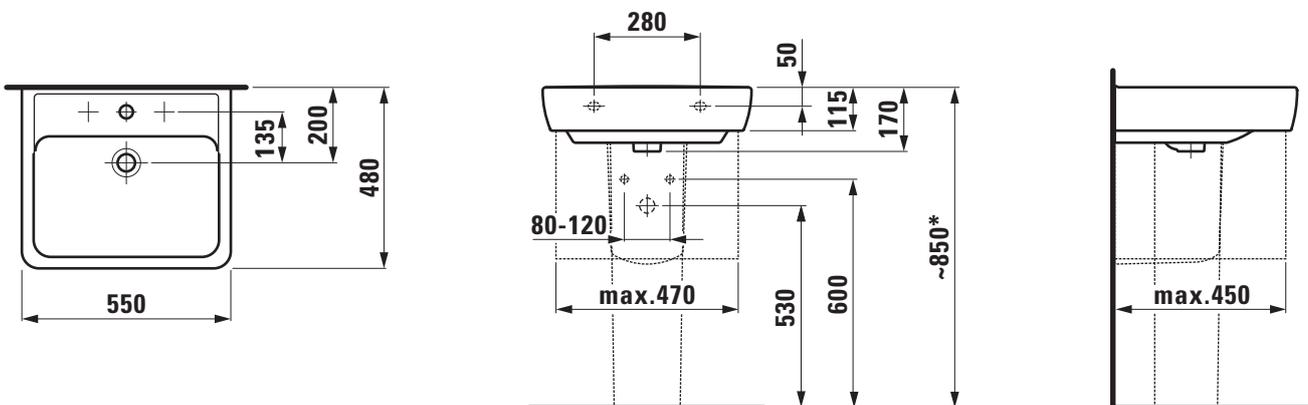
1 centre tap hole

Special feature: overflow channel glazed

Further options / accessories: Surface refinement LCC (only white), 3 tap holes, without tap holes, without tap holes/overflow and open drain, 1 tap hole/without overflow and open drain, siphon cover, pedestal, bathtubs, furniture

Order no. 81895.1

TECHNICAL DRAWINGS / S 1 : 20



* = Effective height must be fixed according to the height of the pedestal.