

Art. 3617

K09 vaso unico monoblocco
scarico a parete
K09 close coupled wc pan
wall outlet

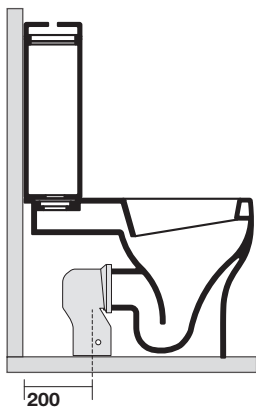
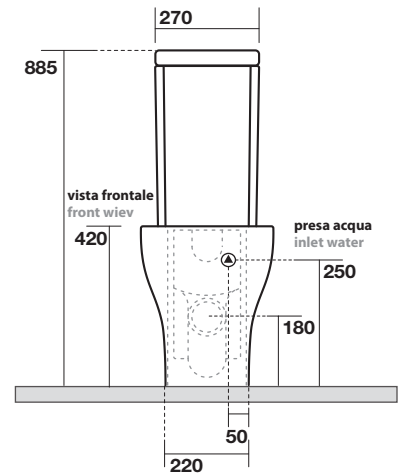
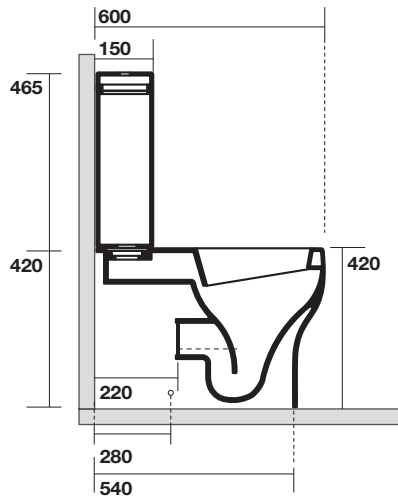
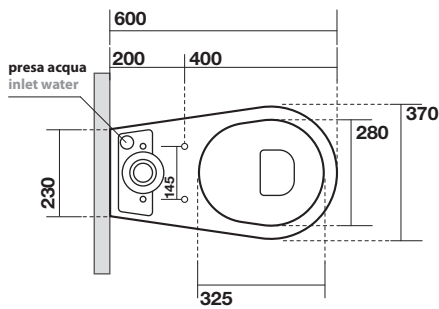
Peso weight 28,00 kg
28,00 kg

Scarico acqua Drain 6lt / 3lt
6lt / 3lt

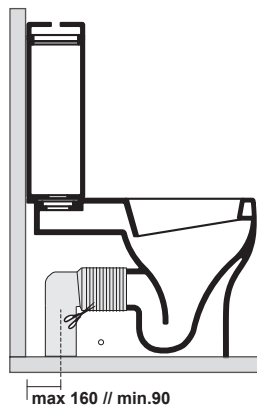
Art. 3681

K09 cassetta monoblocco
K09 close coupled cistern

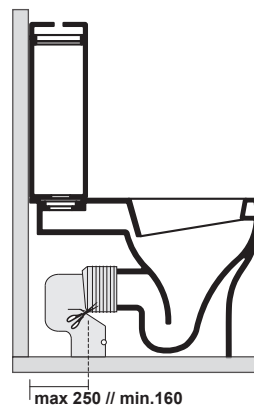
Peso weight 11,00 kg
11,00 kg



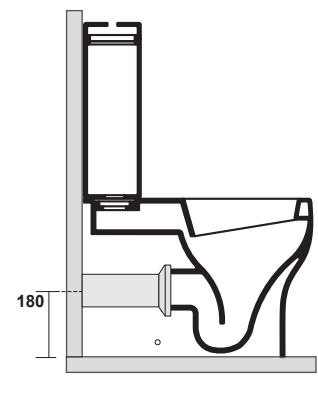
curva tecnica art. 900102
waste pipe art. 900102



curva tecnica variabile 90° art. 900104
variable waste pipe 90° art. 900104



curva tecnica variabile art. 7619
variable waste pipe art. 7619



raccordo di scarico a parete art. 7539
connector for wall outlet art. 7539